

CABINET AND FRONT PANEL GROUP

Key	Part Number	Description	MODELS	
			WCN18	
			A	A
			A	B
1	9454-635-006	Panel, Side (Left) - Stainless	1	1
2	9454-635-005	Panel, Side (Right) - Stainless	1	1
3	9545-018-018	Screw, (Side Panel to Base)	6	6
*	8640-414-006	Nut, Hex	6	6
*	9029-066-001	Bracket, Side Panel	1	1
*	8640-413-002	Nut, Hex	2	2
*	9545-008-026	Screw	2	2
4	9454-668-001	Panel Assy, Front	1	1
*	9059-063-004	Band, Edge Protector	1	1
*	8640-399-008	Nut, Spring (Attaches Top of Panel)	3	3
*	9545-008-026	Screw, Hex (Attaches Top of Panel)	5	5
5	9545-008-014	Screw, Flat Head	2	2
5	8641-585-001	Washer, Finish	2	2
*	8640-399-008	Nut, Spring-To Front Panel	2	2
*	9545-008-023	Screw, Guide	2	2
6	8502-624-002	Label, Door Opening	1	1
7	9454-665-002	Panel, Control (Mounts Nameplate)	1	1
*	9545-008-006	Screw, Control Panel Mtg	4	4
8	9412-074-003	Nameplate, Control Panel T-300	1	1
9	9454-662-001	Panel, Top	1	1
10	8650-012-003	Lock, Top (w/Key)	1	1
*	9306-025-001	Key, Top-6324	1	1
*	9095-038-001	Cam, Lock-Top	1	1
*	8640-426-001	Nut, 9/32	1	1
*	8641-581-008	Washer	1	1
11	9108-096-001	Door, Lower Service	1	1
12	9244-081-001	Handle (bumper guard)	1	1
*	9545-045-010	Screw	4	4
13	9545-008-014	Screw Mtg., Flat Head	2	2
13	8641-585-001	Washer, Finish	2	2
*	9545-008-023	Screw, Guide	2	2
14	9108-095-003	Door, Dispenser	1	1
*	9451-191-001	Pin, Plain ss	2	2
15	9467-025-001	Post, Door Mounting	2	2
*	9545-045-002	Screw, Dispenser Post Mtg	4	4
*	9545-008-012	Screw, Dispenser Mounting	4	4
*	8640-399-007	Nuts, Spring	4	4
*	9086-017-001	Catch, Top Panel	2	2
*	9467-024-001	Post, Top Locator	2	2
*	8640-411-003	Nut, Keys	2	2
*	9355-001-001	Locator, Panel	2	2
*	9545-008-025	Screw,#10	2	2
16	9021-001-010	Acceptor, Coin (25c)	1	1
17	9732-122-001	Box Ass'y Coin(see coin box group)	1	1
*	Not Illustrated			

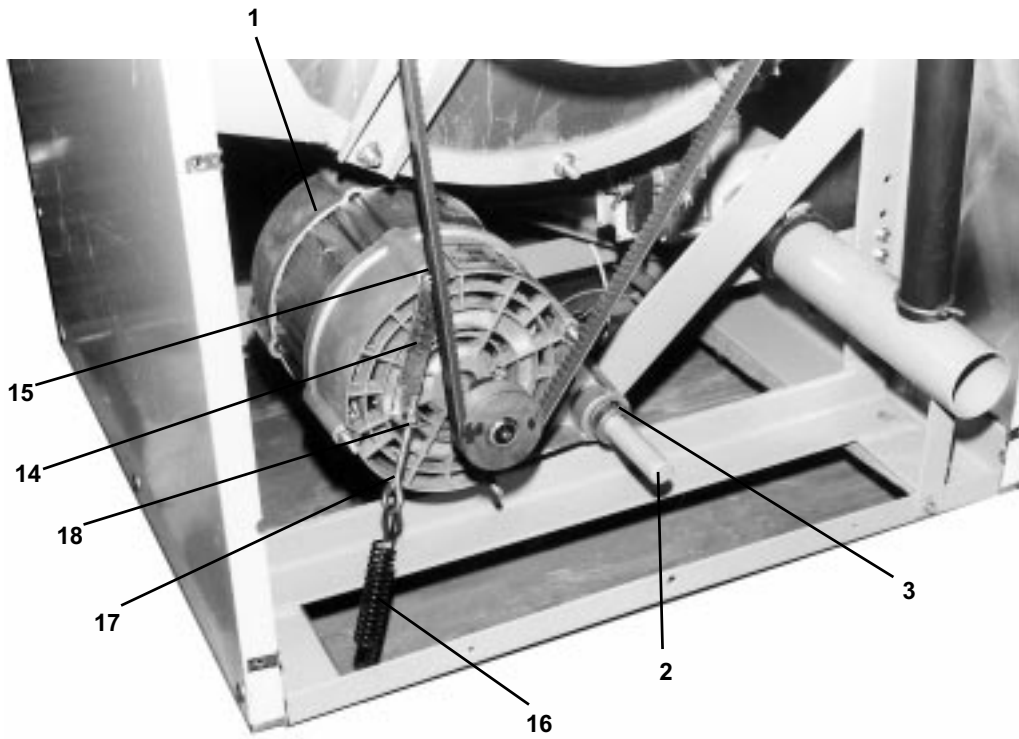
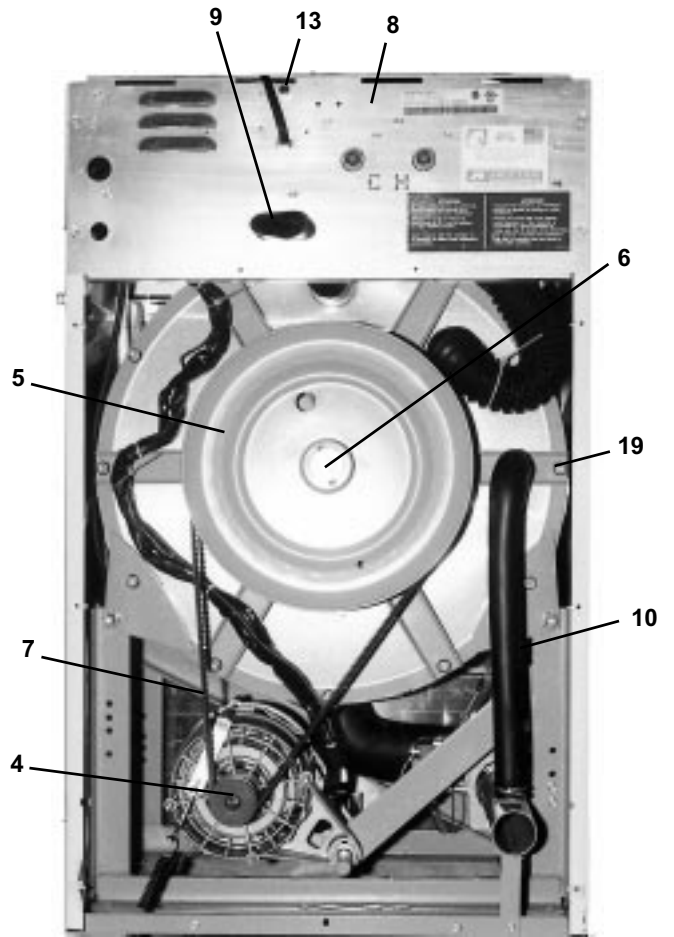
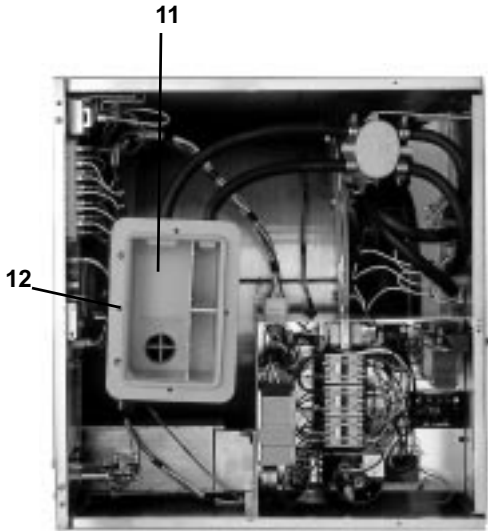


REAR VIEW

Key	Part Number	Description	MODELS	
			WCN18	
			A	A
			A	B
1	9732-127-009	Drive Motor, 1 Phase	1	
1	9732-127-010	Drive Motor, 3 Phase		1
2	9497-222-002	Rod, Motor Mtg	1	1
3	9545-029-005	Screw (end of motor rod)	1	1
3	8641-582-014	Lockwasher (end of motor rod)	1	1
3	9076-052-002	Collar, Shaft (w/set screws)	3	3
*	9053-067-001	Bushing, Motor Hangar	2	2
4	9453-169-006	Pulley, Motor	1	1
*	9545-028-015	Set Screw, Sq. Hd.	2	2
5	9908-041-002	Pulley, Driven	1	1
6	9545-017-009	Screw	1	1
6	8641-581-026	Washer, Flat	1	1
6	8641-582-016	Lockwasher	1	1
7	9040-076-004	Drive Belt	1	1
8	9081-099-001	Channel, Rear	1	1
*	9545-008-026	Screw	4	4
*	8640-399-004	Nut, Spring	4	4
9	9242-463-001	Hose, Overflow 9"	1	1
10	9242-449-002	Hose, Overflow	1	1
*	8654-029-000	Clamp, Hose	2	2
11	9122-005-004	Dispenser--(washcompound)	1	1
12	9206-416-001	Gasket, Dispenser	1	1
*	9454-632-001	Panel Assy., Back	1	1
*	9545-008-026	Screw	10	10
*	8640-399-004	Nut, Spring	10	10
*	9242-175-000	Hose, Pressure Switch	1	1
*	8654-117-015	Clamp, Pressure Sw. Hose	1	1
13	5198-211-002	Circuit Breaker, 1.5 amp (3-phase)	1	1
*	5198-211-004	Circuit Breaker, 7 amp (1-phase)		1
14	9029-027-003	Strap, Motor Tension	1	1
15	8640-413-002	Nut, Strap to Motor	1	1
15	8641-581-006	Washer	1	1
16	9534-319-002	Spring, Belt Tension	1	1
17	9545-055-001	Bolt, Eye 1/4-20x2 1/2"	1	1
18	8640-414-003	Nut, 1/4 Elastic Stop	1	1
19	9545-029-003	Screw, 3/8"x 1 1/2"	12	12
*	8640-415-004	Nut, Flange Lock	12	12
*	9552-038-003	Shim	AR	AR
*	9456-041-007	PLASTIC PLUG(inside cylinder)	1	1
*	9454-632-001	Back Panel	1	1

* Not Illustrated

Rear View

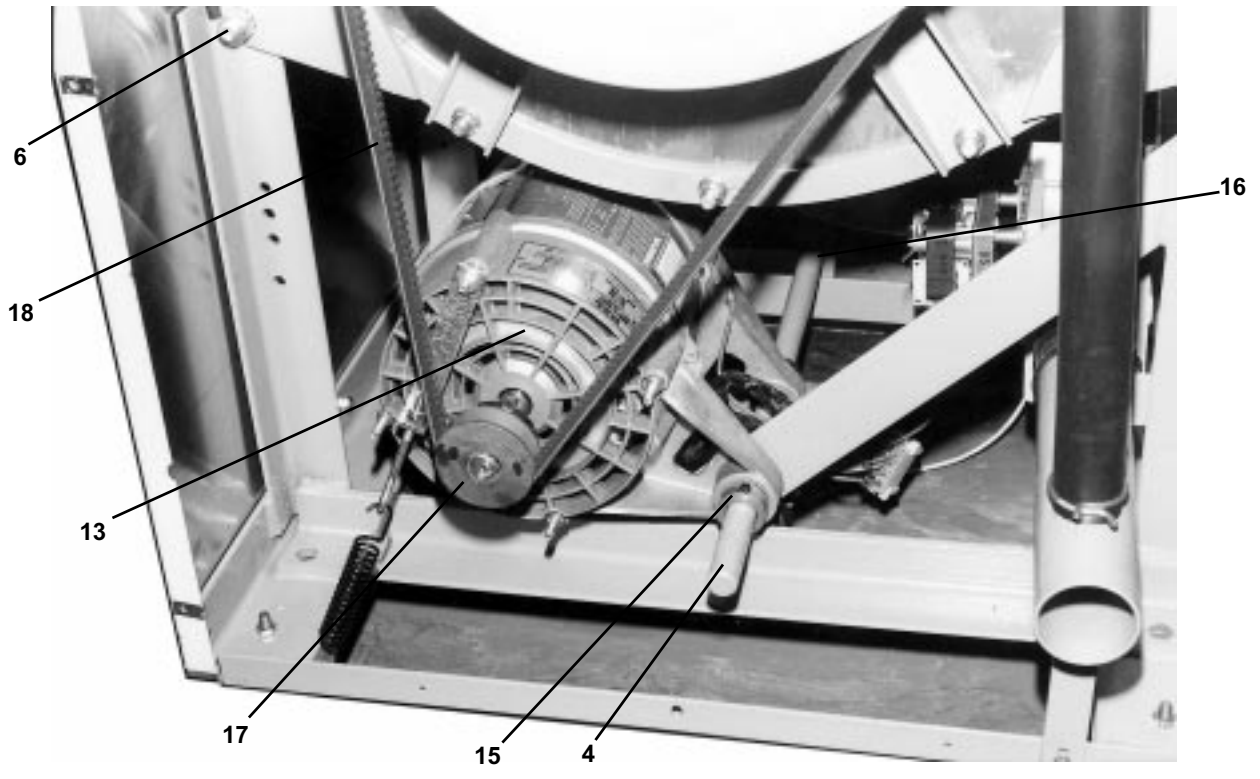
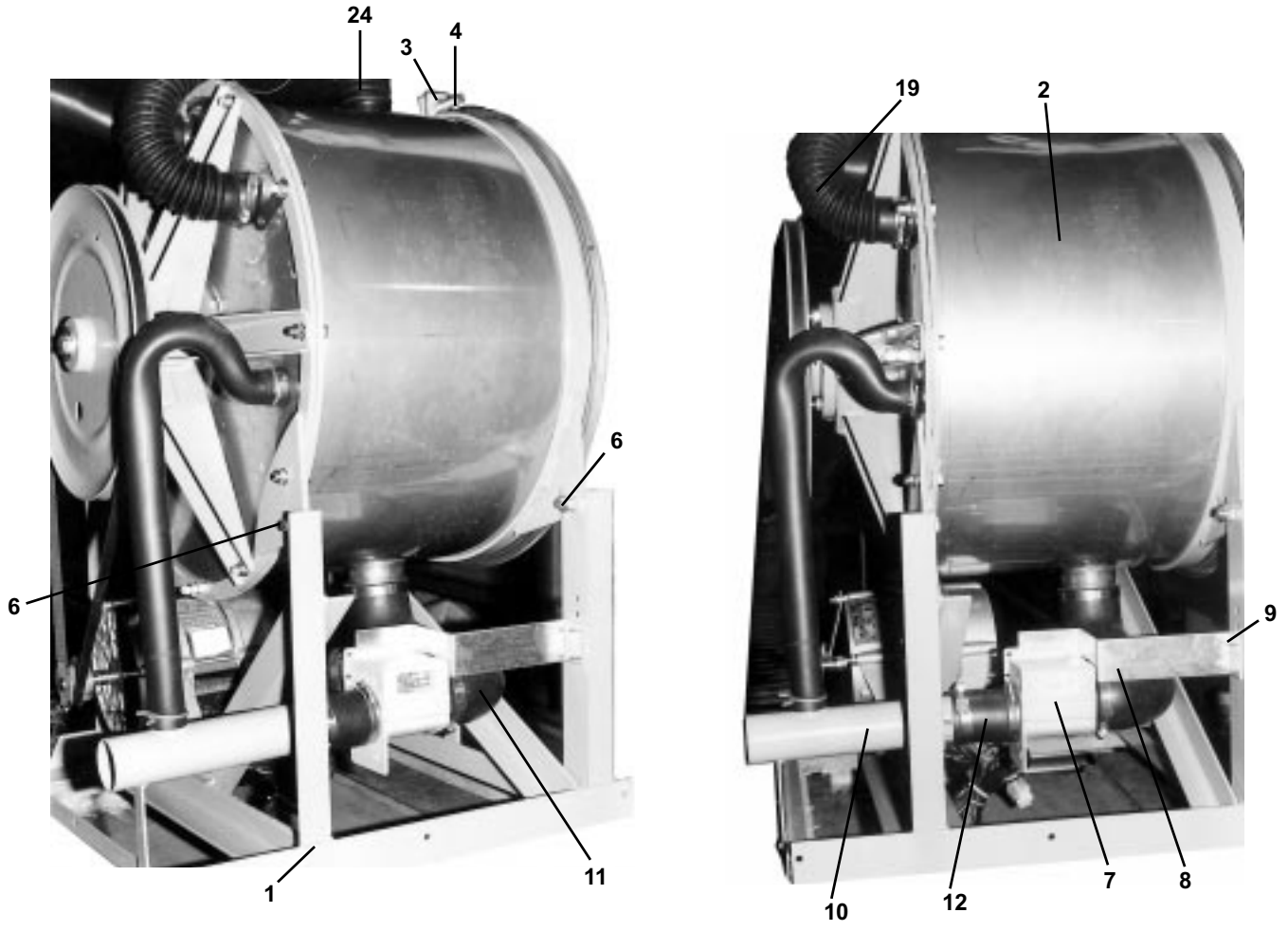


CHASSIS AND DRAIN GROUP

Key	Part Number	Description	MODELS	
			WCN18	
			A	A
			A	B
1	9945-093-002	Base Assy, Frame	1	1
2	9930-135-001	Tub Assy	1	1
3	9950-045-002	Ring Assy, Tub Mtg-Front	1	1
4	9545-017-012	Bolt, Top Front Ring 1/2" x 3"	1	1
4	8641-582-016	Lockwasher	1	1
4	8640-417-002	Nut	1	1
6	9545-017-009	Screw, Front & Rear Rings to Base 1/2" x 1 1/4"	4	4
6	8641-582-016	Lockwasher	4	4
6	8640-417-002	Nut	4	4
7	9379-177-006	Valve, Drain (2 1/4" ball type)	1	1
8	9029-005-001	Bracket, Drain Valve	1	1
*	9545-048-001	Screw, Valve to Bracket	1	1
*	8641-581-018	Washer	1	1
9	9545-030-002	Screw, Bracket to Base	2	2
10	9915-116-004	Tube Assy, Drain	1	1
*	9545-030-002	Screw, Tube Mtg	2	2
11	9242-455-001	Hose, Tub to Drain Valve	1	1
12	9242-451-002	Hose, Drain Valve to Outlet	1	1
*	8654-117-014	Clamp, Hose	3	3
13	9732-127-009	Motor, Drive (1 PH)	1	
13	9732-127-010	Motor, Drive (3 PH)		1
14	9497-222-002	Rod, Motor Mtg	1	1
15	9076-052-002	Collar, Shaft	2	2
16	9545-029-005	Screw, Motor Mtg Rod	1	1
16	8641-582-014	Lockwasher	1	1
17	9453-169-006	Pulley, Motor	1	1
*	9545-028-015	Set Screw, Sq. Hd	2	2
18	9040-076-004	Belt, Drive	1	1
*	9552-038-003	Shim, Support Assembly	AR	AR
19	9242-458-001	Vacuum Breaker to Tub		
24	9242-450-002	Hose, Dispenser to Tub	1	1
*	8654-117-008	Clamp, Dispenser Hose	2	2

* Not Illustrated

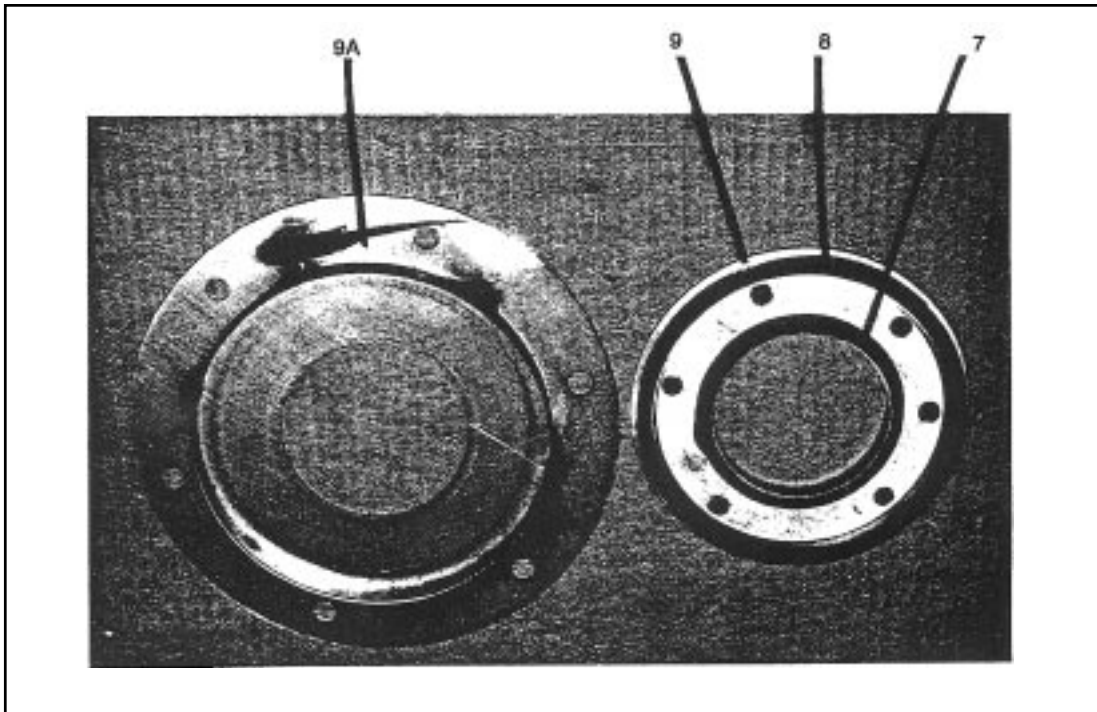
Chassis and Drain Group



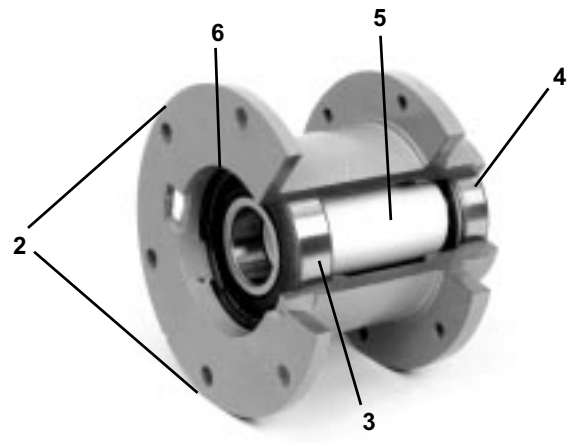
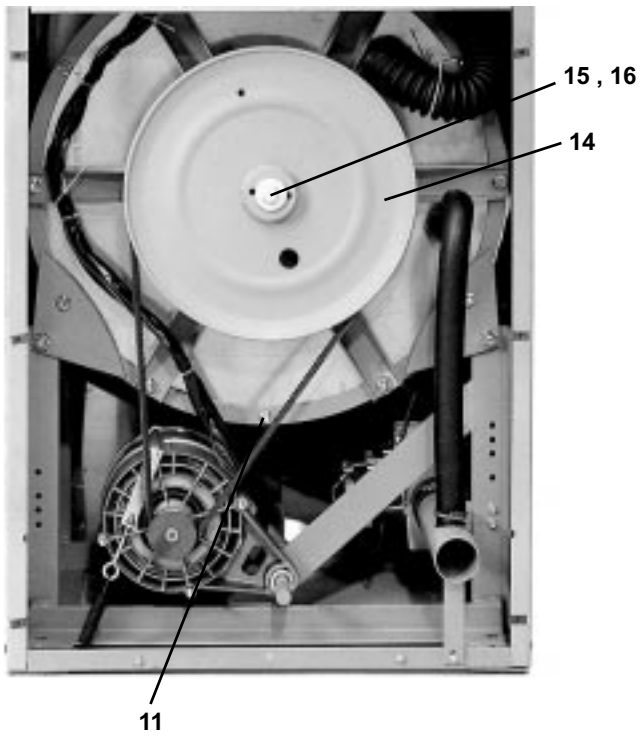
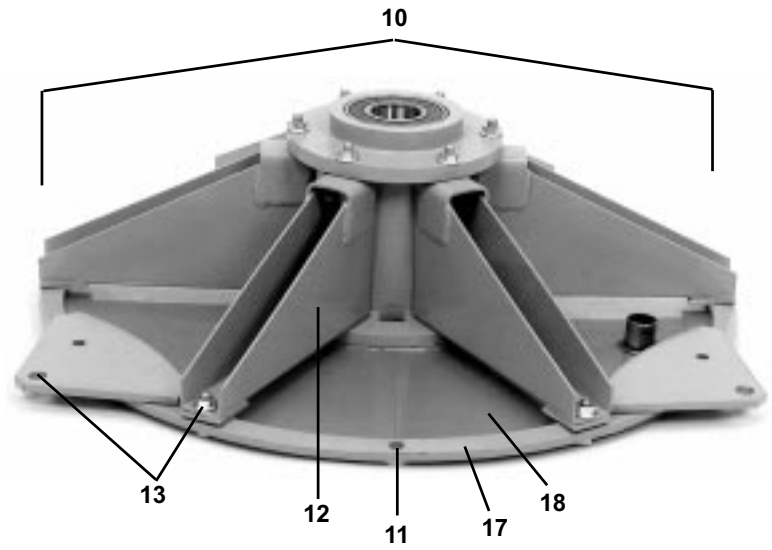
BEARING HOUSING AND PULLEY GROUP

Key	Part Number	Description	MODELS	
			WCN18	
			A	B
*	9848-111-001	Cylinder, Assy	1	1
*	9803-182-001	Housing, Bearing- Assembly (includes items #2-#6)	1	1
2	9241-174-002	Housing, Bearing	1	1
3	9036-159-001	Bearing, Front	1	1
4	9036-159-003	Bearing, Rear	1	1
5	9538-161-001	Spacer, Bearing	1	1
6	9487-238-002	Ring, Bearing Retainer	1	1
7	9532-140-005	Seal, Secondary	1	1
8	9532-140-004	Seal, Primary	1	1
9	9950-047-001	Ring, Seal Mtg	1	1
9a	9950-054-001	Ring, Seal Ass'y Tub Back	1	1
10	9962-012-001	Back Assy, Tub	1	1
11	9545-017-009	Screw, 1/2 x 1 1/4 Grade 5	6	6
11	8640-417-002	Nut	6	6
11	8641-582-016	Lockwasher	6	6
12	9991-049-002	Support Assy., Bearing Housing	6	6
13	9545-029-003	Screw, 3/8 x 1 1/2 Grade 8	6	6
13	8640-415-004	Nut	6	6
14	9908-041-002	Pulley, Driven	1	1
15	9487-234-002	Ring, Tolerance	1	1
16	8641-581-026	Washer	1	1
16	9545-017-009	Screw	1	1
16	8641-582-016	Lockwasher	1	1
17	9950-046-002	Ring ass'y Tub Mtg. rear	1	1
18	9050-031-005	Tub Back only		

* Not Illustrated



Bearing Housing and Pulley Group

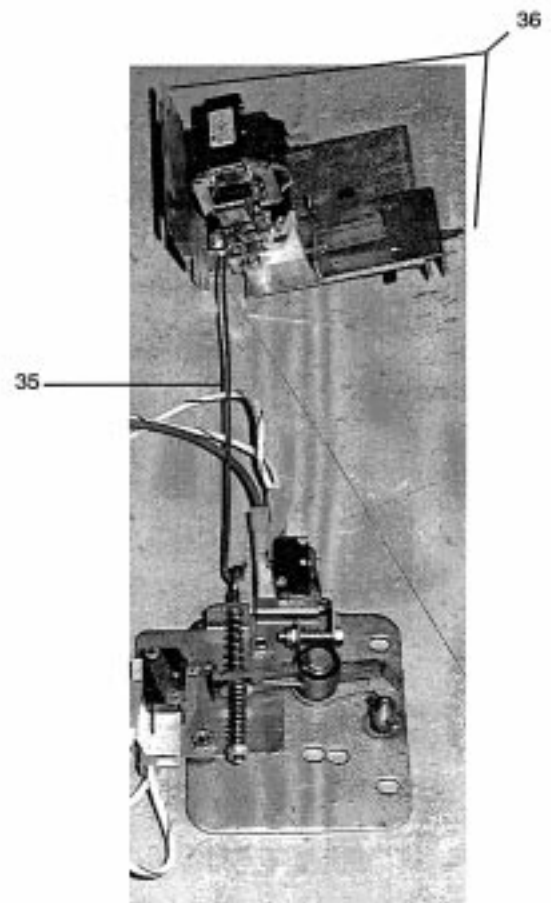
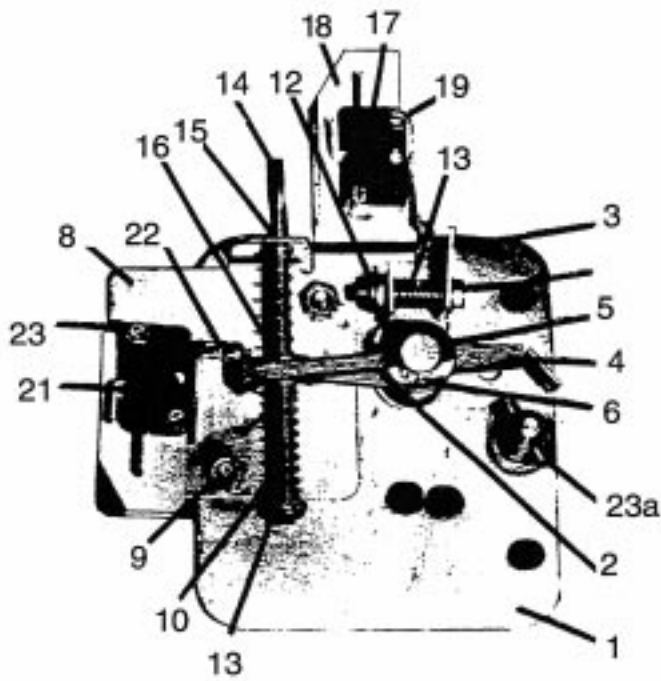
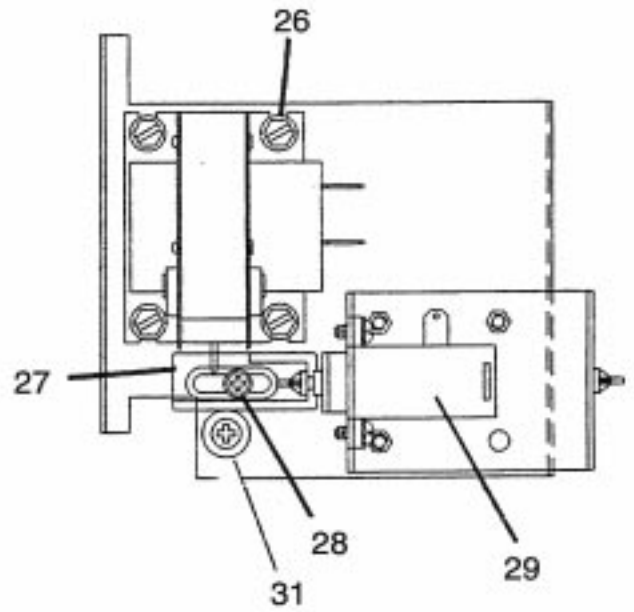
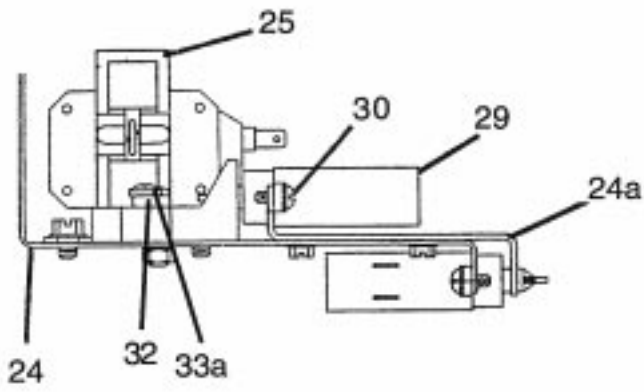


DOOR LOCK GROUP

Key	Part Number	Description	MODELS	
			WCN18	
			A	A
			A	B
*	9885-023-001	Lock Assy, Complete (includes #1 thru #23)	1	1
1	9982-284-001	Plate Assy, Door Lock	1	1
2	8641-581-030	Washer, Flat	1	1
3	9008-005-001	Actuator, Latching Switch	1	1
4	9450-002-002	Pawl, Locking	1	1
5	8641-569-003	Washer, Spring	1	1
6	9487-200-004	Ring, Retaining	1	1
8	9029-035-001	Bracket, Switch	1	1
9	8640-413-002	Nut, Hex	2	2
10	9534-364-002	Spring, Actuating	1	1
11	9545-012-020	Screw, Hx.	1	1
12	8640-413-004	Nut, Elastic Stop	2	2
13	9534-364-001	Spring, Return	2	2
14	9451-193-001	Pin, Guide	1	1
15	9487-200-005	Ring, Retaining	1	1
16	8641-581-031	Washer	2	2
17	9539-461-008	Switch, Latching Sensing	1	1
18	9550-169-003	Shield, Switch	3	3
19	9545-020-001	Screw	2	2
20	8640-401-001	Nut, Twin	2	2
21	9539-461-007	Switch, Locking Sensing	2	2
22	9008-006-002	Actuator, Switch	2	2
23	9545-020-003	Screw	2	2
23	8640-401-001	Nut, Twin	1	1
23a	9451-181-004	Pin ,Dowel	1	1
*	9552-037-001	Shim, Door Lock, Thin	AR	AR
*	9552-037-002	Shim, Door Lock, Thick	AR	AR
*	9545-018-014	Screw, Lock mtg 1/4-20x3/4	3	3
*	8641-582-007	Lockwasher	3	3
36	9922-011-001	Solenoid Ass'y Door Locking(includes 24 thru 34)	1	1
24	9029-073-001	Bracket, Solenoid	1	1
24a	9985-169-001	Bracket ass'y Solenoid Slide	1	1
25	9536-074-001	Solenoid	1	1
26	9545-008-001	Screw, Solenoid Mtg	4	4
27	9540-033-001	Stop, Door Lock Solenoid	1	1
28	9545-061-001	Screw, Shoulder	1	1
29	9586-001-001	Thermoactuator	2	2
30	9545-031-005	Screw	2	2
31	9538-157-004	Spacer, Plastic	1	1
32	9538-166-004	Spacer, Metal	1	1
33a	9545-010-001	Screw, Cross Recessed	1	1
*	8640-412-005	Nut, Keps #8	1	1
*	8640-411-003	Nut, Keps #6	2	2
*	8640-413-002	Nut, Sol. Brkt. to Control Panel	3	3
35	9497-225-004	Rod, Pull	1	1

* Not Illustrated

Door Lock Group

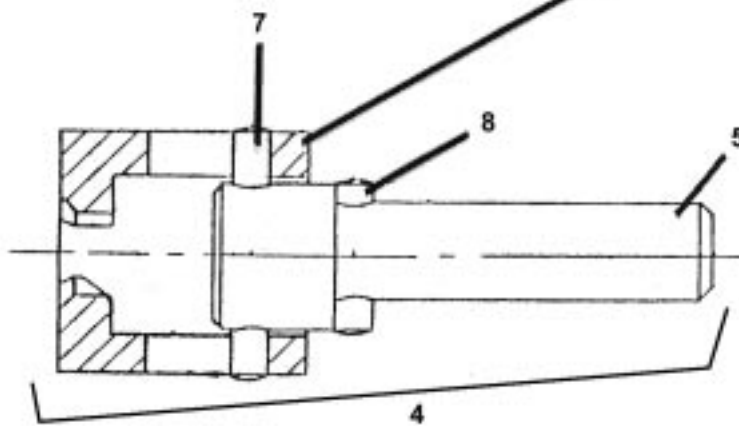
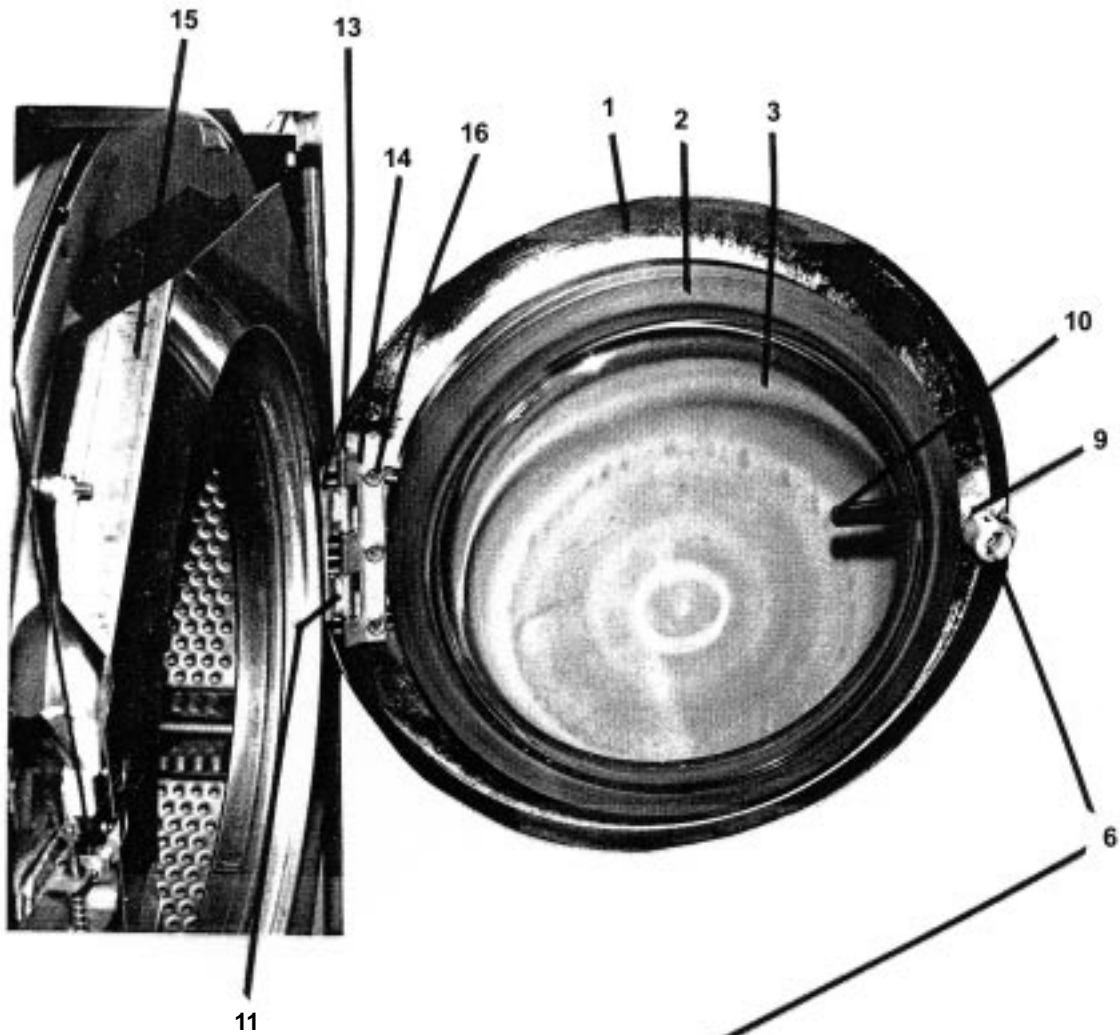


LOADING DOOR GROUP

Key	Part Number	Description	MODELS	
			WCN18	
			A	A
			A	B
*	9960-259-003	Loading Door, Complete (includes #1 thru #10)	1	1
1	9487-245-001	Loading Door, Ring	1	1
2	9206-411-002	Gasket, Loading Door	1	1
3	9635-018-001	Window, Loading Door Glass	1	1
4	9913-134-003	Shaft Assy, Locking (includes #5 thru #8)	1	1
5	9537-195-002	Shaft, Door Locking	1	1
6	9095-040-001	Cam, Locking	1	1
7	9451-181-005	Pin, Groove (1 1/4)	1	1
8	9451-181-004	Pin, Groove (3/4)	1	1
9	9534-360-002	Spring, Lock Cam	1	1
10	9244-080-003	Handle, Door	1	1
*	9451-181-006	Pin, Door Handle (groove)	1	1
11	9955-029-001	Hinge Assy, Loading Door	1	1
*	9545-014-009	Screw, Hinge Mtg	3	3
*	8641-582-009	Lockwasher	3	3
*	9552-036-001	Shim, Loading Door Hinge, Thin	AR	AR
*	9552-036-002	Shim, Loading Door Hinge, Thick	AR	AR
13	9451-184-003	Pin, Loading Door Hinge	1	1
*	8649-031-000	Ring, Retaining	1	1
14	9079-122-001	Clamp, Loading Door Hinge Pin	1	1
16	9545-056-001	Screw, Loading Door Mtg	3	3
15	9487-251-001	Ring, Masking	1	1
*	8640-413-002	Nut	4	4
	9732-139-002	Kit Door Gasket Expansion (large)		
	9732-139-001	Kit Door Gasket Expansion (small)		

* Not Illustrated

Loading Door Group

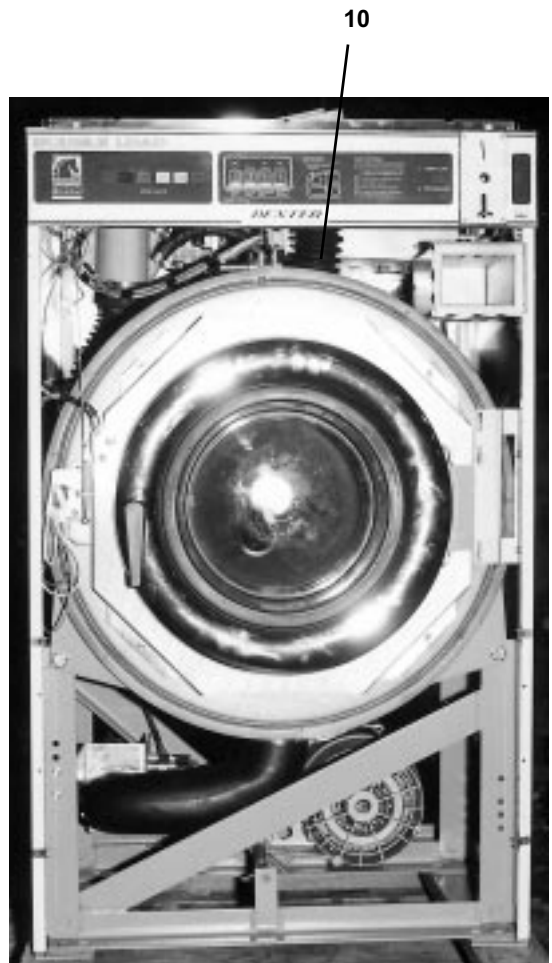
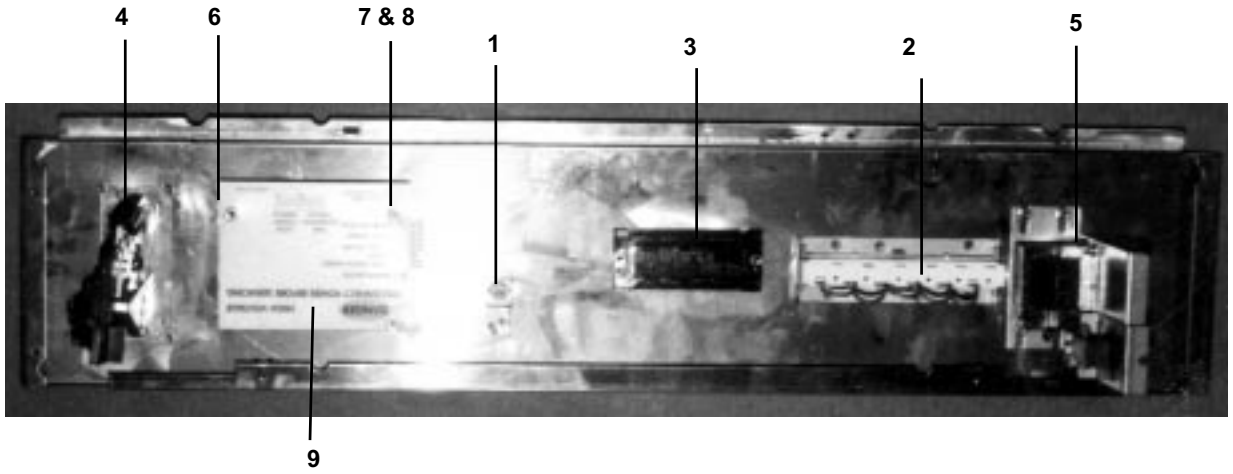


CONTROL PANEL GROUP

Key	Part Number	Description	MODELS	
			WCN18	
			A	A
			A	B
1	3310-042-001	Light, Bleach	1	1
2	3310-041-001	Light, Cycle Control	1	1
*	9206-100-001	Gasket, Light	2	2
3	9539-479-009	Switch, Push-button (cycle selector)	1	1
*	9412-074-003	Label, Complete (DOUBLE LOAD)	1	1
*	8640-412-005	Nut, Switch Mtg	2	2
*	9545-031-011	Screws #6Tx5/16	4	4
4	9021-001-010	Acceptor, Coin	1	1
*	9545-020-004	Screw, Acceptor Mtg	4	4
*	8640-424-002	Nut	4	4
*	9732-126-001	Switch, Coin	1	1
5	9029-073-001	Bracket, Solenoid (see Door Lock Group for breakdown)	1	1
6	9020-005-001	Accumulator, Coin	1	1
7	9538-157-003	Spacer	3	3
8	8640-412-005	Nut, Hx	6	6
9	9550-174-001	Shield, Circuit Board	1	1
10	9242-450-002	Hose, Dispenser to Tub	1	1
*	8654-117-008	Clamp	2	2

* Not Illustrated

Control Panel Group

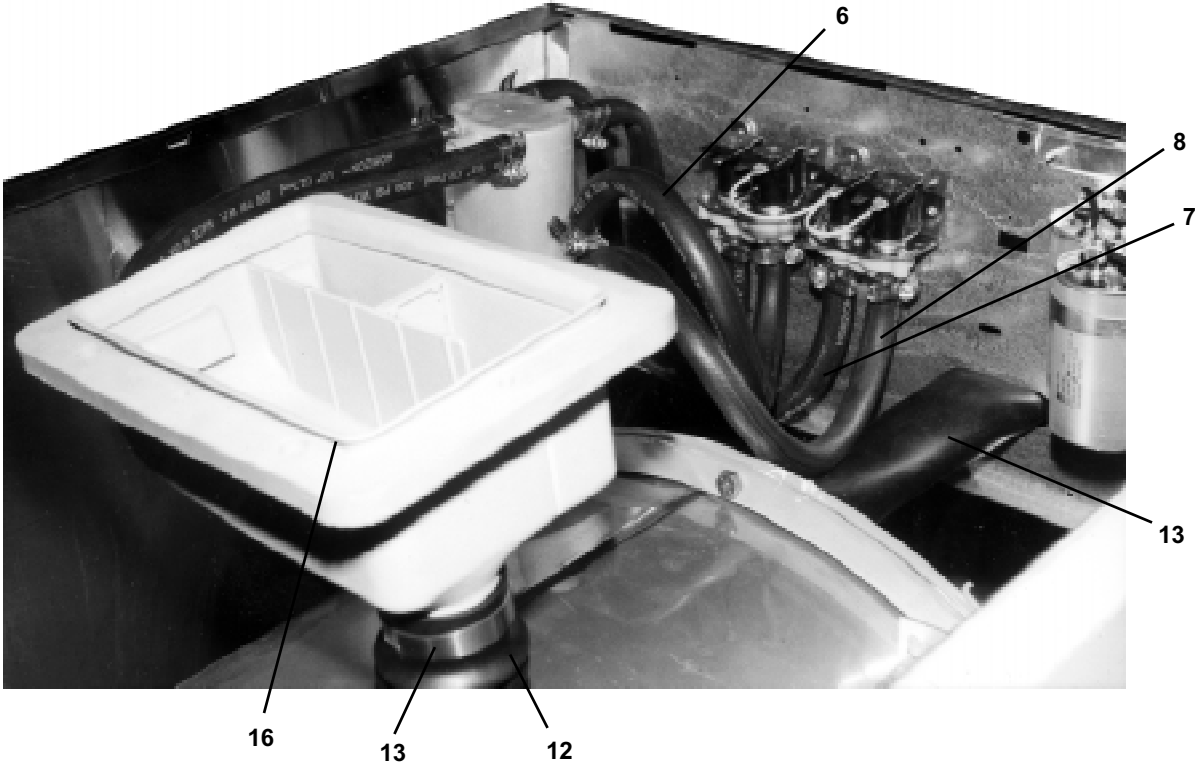
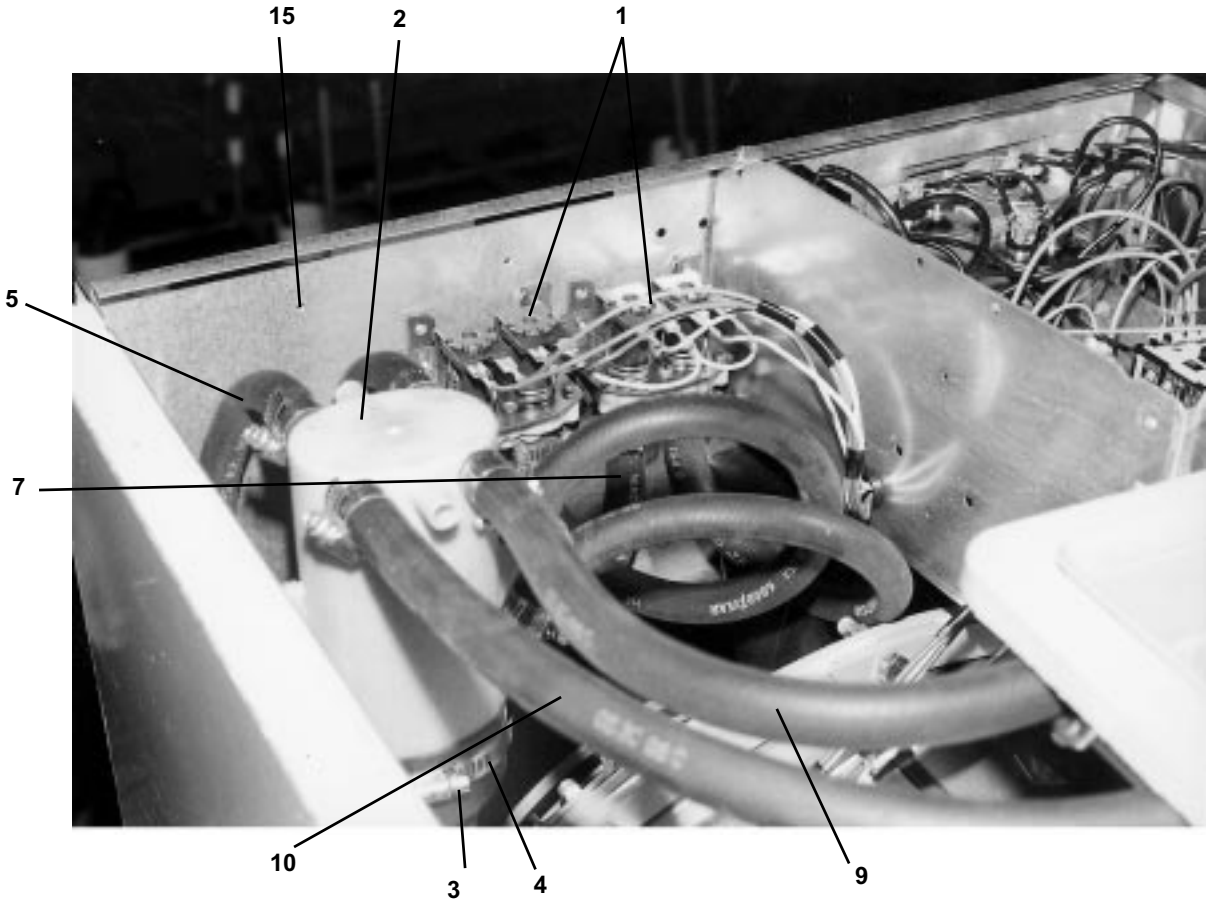


WATER INLET GROUP

Key	Part Number	Description	MODELS	
			WCN18	
			A	A
			A	B
1	9379-183-001	Valve, Water Inlet	2	2
		(see Water Inlet Valve Breakdown for individual parts)		
*	9545-008-026	Screw, Valve Mtg	4	4
*	8640-399-009	Nut, Spring	4	4
2	9610-001-001	Vacuum Breaker	1	1
*	9029-065-001	Bracket, Vacuum Breaker	1	1
*	9545-008-026	Screw	4	4
3	9242-458-001	Hose, Vacuum Breaker to Tub	1	1
4	8654-117-014	Clamp, Vacuum Breaker End	1	1
*	8654-117-009	Clamp, Tub End	1	1
5	9242-453-020	Hose, Hot Valve to Vac. Brkr 18"	1	1
6	9242-453-020	Hose, Hot Valve to Vac. Brkr 18"	1	1
7	9242-453-020	Hose, Cold Valve to Vac. Brkr 18"	1	1
8	9242-453-020	Hose, Cold Valve to Vac. Brkr 18"	1	1
9	9242-453-015	Hose, Vac. Brkr. to Rinse Disp.12 5/16"	1	1
10	9242-453-016	Hose, Vac. Brkr. to Wash Disp.14 1/2"	1	1
11	8654-117-015	Clamp, Hose-Worm	12	12
*	5198-211-004	Circuit Breaker	1	
*	5198-211-002	Circuit Breaker	1	
12	9242-450-002	Hose, Dispenser to Tub	1	1
13	8654-117-008	Dispenser Clamp	2	2
14	9242-463-001	Overflow hose 9"	1	
15	9081-099-001	Channel, Rear	1	1
16	9732-108-002	Dispenser	1	1
*	9206-416-001	Gasket, Dispenser	1	1

* Not Illustrated

Water Inlet Group



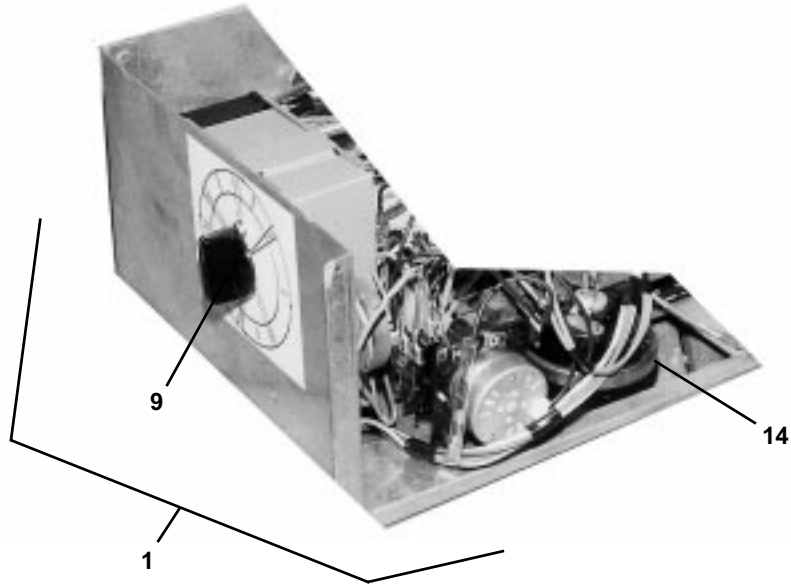
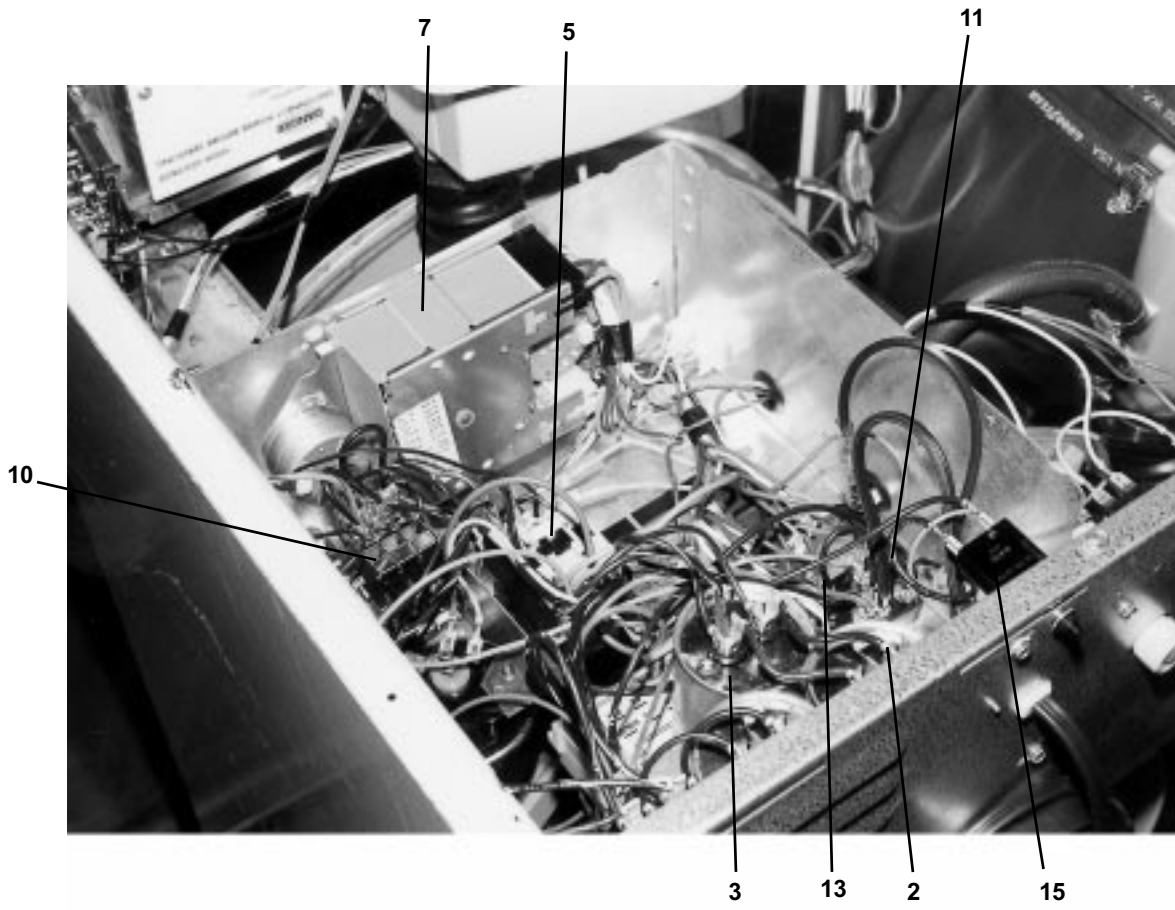
Electrical Components - Top Compartment

Single Phase Only

Key	Part Number	Description	MODELS	
			WCN18	
			A	A
			A	B
1	9575-034-001	Trough Assy, Mtg	1	
	9857-125-007	Control Assy.		
*	9545-008-026	Screw, Trough Sides	2	
*	9802-037-007	Service Cord ass'y.	1	
2	5191-103-007	Capacitor, Spin-Start	2	
3	5191-103-006	Capacitor, Run-Tumble	1	
	5192-103-008	Capacitor, Run-Tumble	1	
4	9544-055-003	Strap, Capacitor Mtg	1	
*	9545-045-001	Screw, Capacitor Strap	2	
5	5192-286-008	Relay,	1	
7	9571-362-001	Timer, Program	1	
	(VERIFY PART NUMBER ON TIMER BODY)			
*	9376-285-002	Motor, Timer Main Drive	1	
*	9376-286-002	Motor, Timer Rapid Advance	1	
*	9545-012-001	Screw, Timer Mtg	2	
8	9107-068-001	Dial, Timer	1	
9	9307-176-001	Knob, Timer (w/set screws)	1	
10	9571-360-001	Timer, Reversing	1	
*	9545-044-004	Screw, Reversing Timer	2	
11	9897-026-001	Terminal Block, Power Connection	1	
*	9545-045-002	Screw, Mtg	2	
*	8502-619-003	Label, Fusing	1	
13	8711-003-001	Transformer, (For Accumulator)	1	
*	9545-045-001	Screw, Transformer Mtg	2	
*	8641-582-005	Lockwasher	2	
14	9539-457-001	Switch, Pressure	1	
*	9545-045-001	Screw, Mtg	2	
15	5198-211-001	Circuit Breaker, 7 amp	1	
*	9483-002-001	Resistors, Motorstart	2	

* Not Illustrated

Electrical Components-Top Compartment-1 Phase
(1 phase control trough)



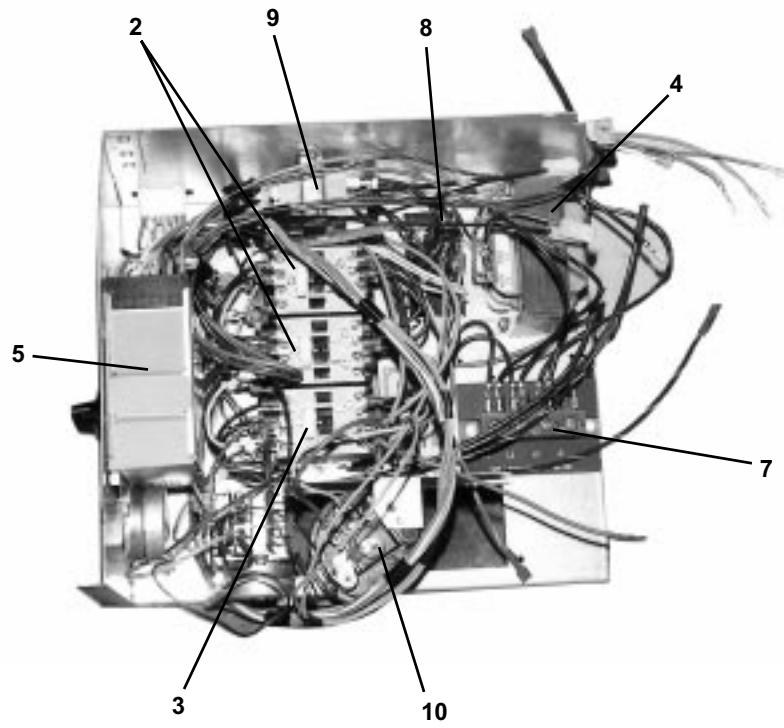
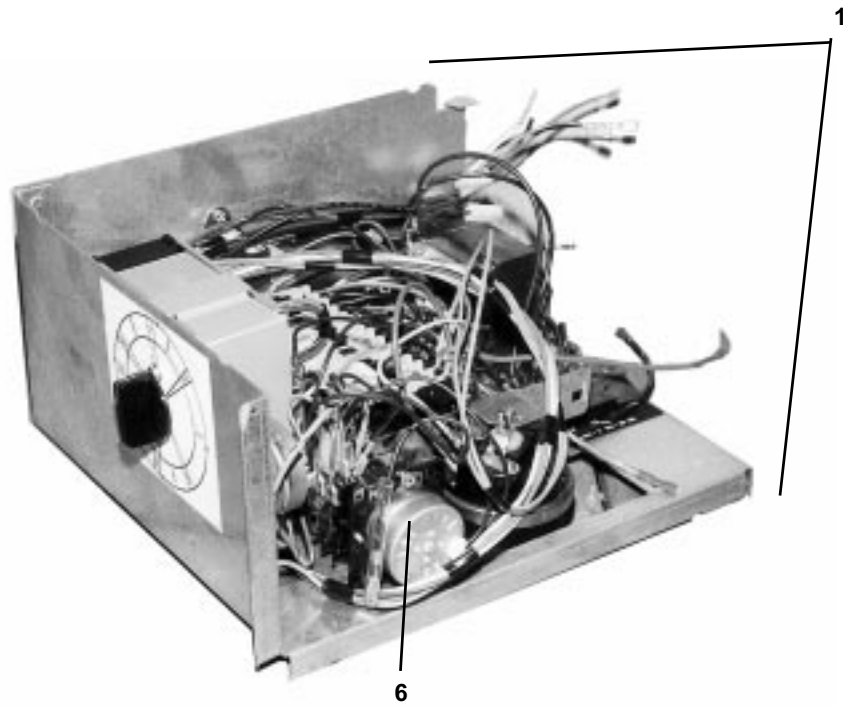
Electrical Components - Top Compartment

Three Phase Only

Key	Part Number	Description	MODELS	
			WCN18	
			A	A
			A	B
1	9577-047-006	Trough Assy, Mtg		1
	9857-125-008	Control Assy,		
*	9545-008-026	Screw, Trough Sides		2
2	5192-286-007	Relay, Tumble		2
3	5192-286-009	Relay, Spin		1
4	8711-004-001	Transformer, Control		1
*	9545-008-026	Screw, Mtg		1
*	8641-582-006	Lockwasher		1
5	9571-362-001	Timer, Program		1
	(VERIFY PART NUMBER ON TIMER BODY)			
*	9376-285-002	Motor, Timer Main Drive		1
*	9376-286-002	Motor, Timer Rapid Advance		1
*	9545-012-001	Screw, Timer Mtg		2
*	9107-068-001	Dial, Timer		1
*	9307-176-001	Knob, Timer (w/set screws)		1
6	9571-360-001	Timer, Reversing		1
*	9545-044-004	Screw, Reversing Timer		2
7	9897-035-002	Terminal Block, Power Connection 4 Pole		1
*	9545-045-002	Screw, Mtg		2
*	8502-619-004	Label, Fusing		1
8	9897-026-001	Terminal Block Assy. Power		1
*	9545-045-002	Screw, Mtg		2
*	9558-029-002	Strip, Terminal Marker		1
9	8711-003-001	Transformer, (For Accumulator)		1
*	9545-045-001	Screw, Transformer Mtg		2
*	8641-582-005	Lockwasher		2
10	9539-457-001	Switch, Pressure		1
*	9545-045-001	Screw, Mtg		2
*	5198-211-004	Circuit Breaker, 1.5 amp		1

* Not Illustrated

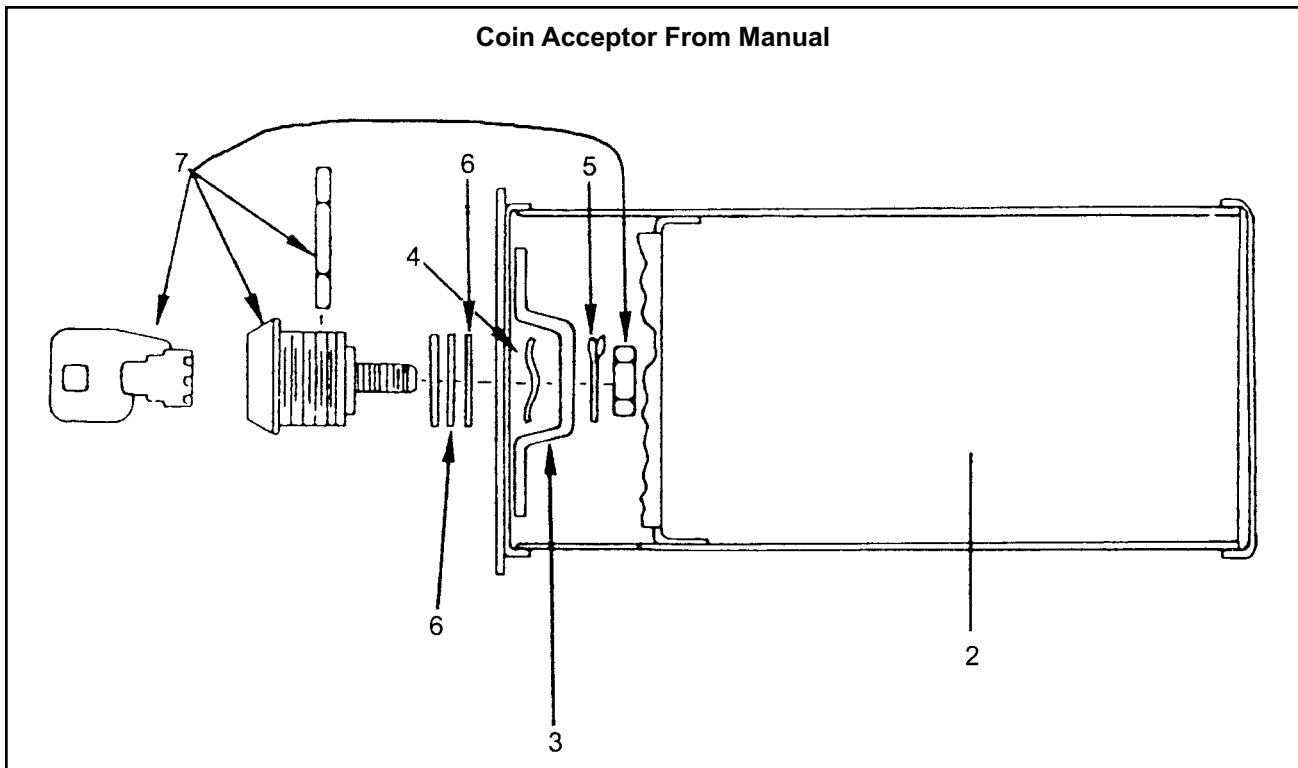
Electrical Components-Top Compartment-3 Phase



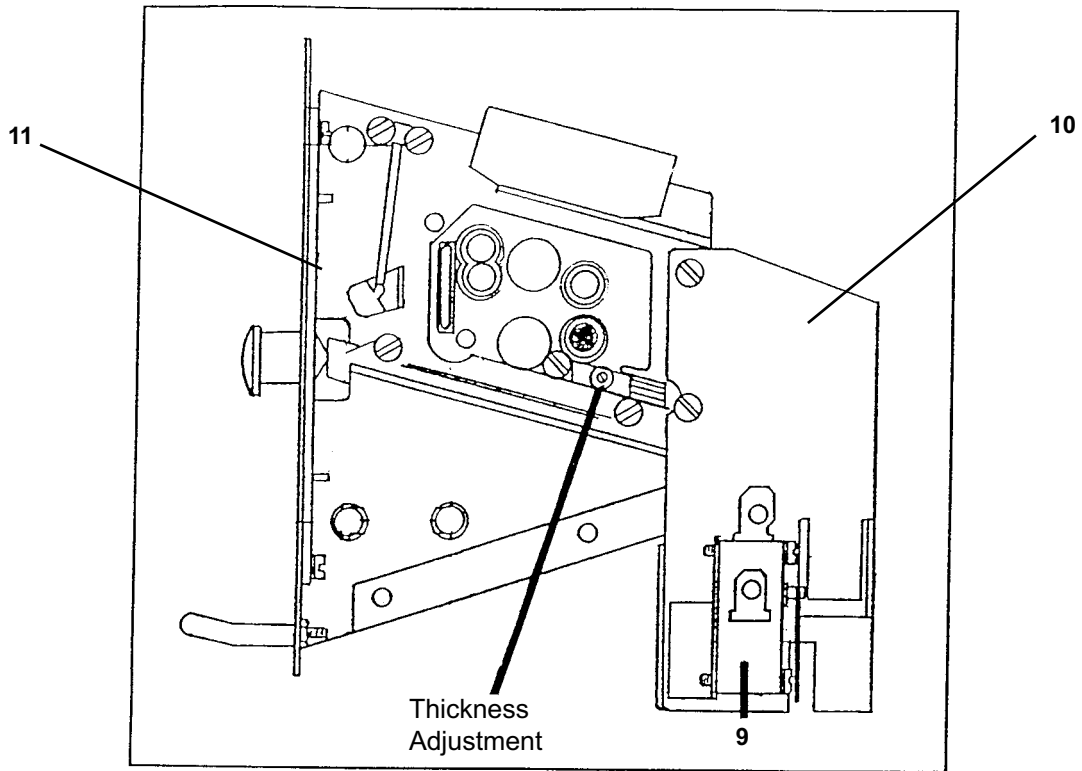
Coin Handling Group

Key	Part Number	Description	MODELS	
			WCN18	
			A	A
			A	B
*	9942-024-007	Vault, Assy	1	1
*	9545-008-026	Screw, Vault Mtg	4	4
NOTE: COIN BOX AND HARDWARE KIT AND COIN BOX LOCK NOT INCLUDED WITH MACHINE.				
2	9732-122-001	Kit, Coin Box W/Hardware(#2-#6)	1	1
3	9349-033-001	Latch, Coin Box	1	1
4	8641-569-002	Washer, Wave	1	1
5	8641-583-001	Washer, Keeper	1	1
6	8641-581-008	Washer, Spacer- Thick	2	2
6	8641-581-010	Washer, Spacer- Thin	4	4
7	8650-012-002	Lock, Coin Box (w/key not included with 9732-122-001)	1	1
8	9021-001-010	Acceptor, Coin.....	1	
1				
*	9545-020-004	Screw, Acceptor Mtg.....	4	4
*	8640-424-002	Nut.....	4	4
9	9732-126-001	Switch, Coin.....	1	1
10	9119-025-002	Acceptor Chute Ass'y w/o penny ejector	1	1
11	9486-133-001	Button Coin Return Retainer	1	1

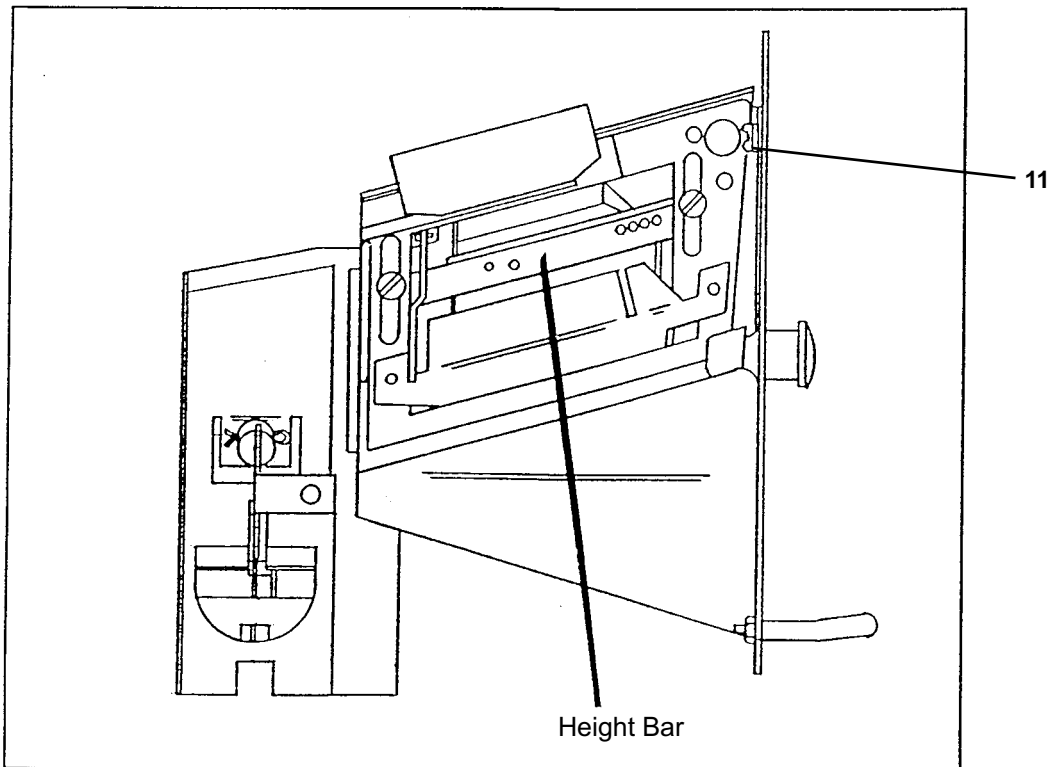
* Not Illustrated



Coin Handling Group



#8 COIN ACCEPTOR - right side

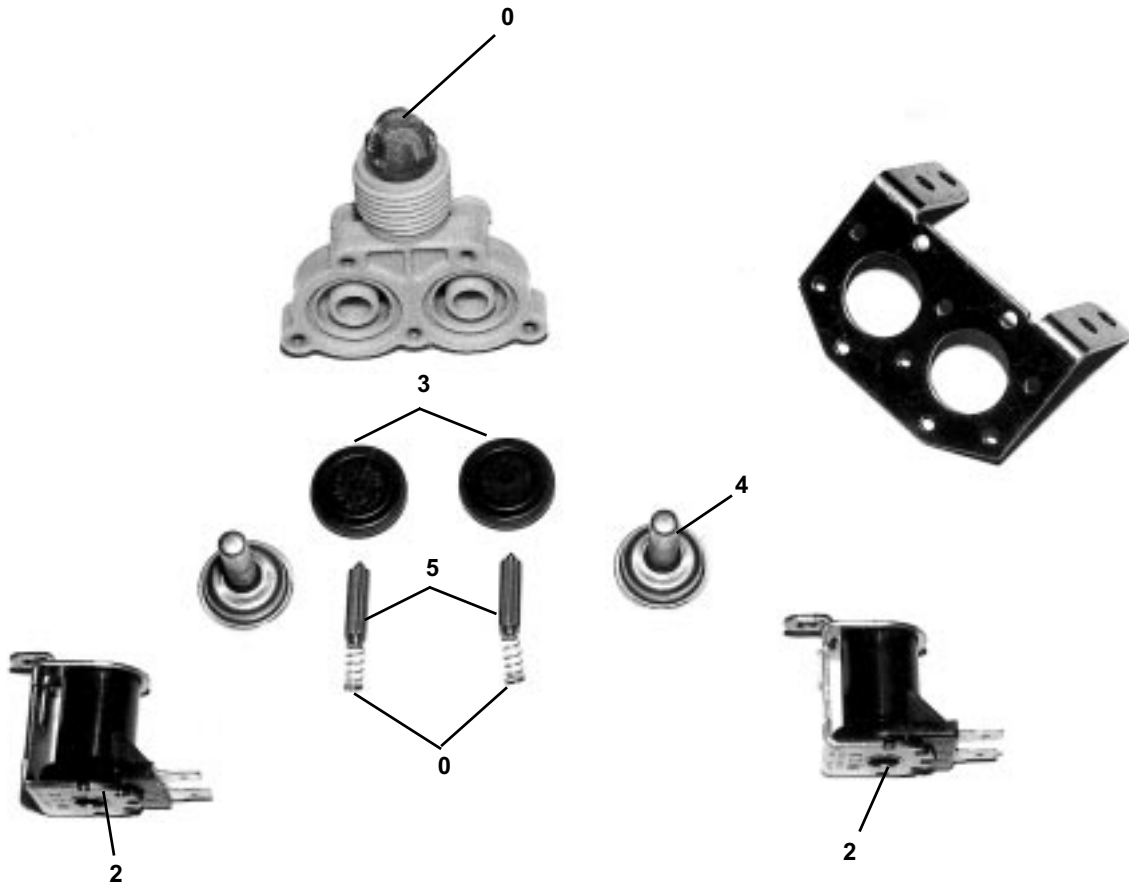


#8 COIN ACCEPTOR - left side

Water Inlet Valve Breakdown

Key	Part Number	Description	MODELS	
			WCN18	
			A	A
			A	B
	9379-183-001	Valve, Water Inlet (includes #1 thru #6)	2	2
1	9555-056-001	Screen, Inlet	2	2
2	9089-017-001	Coil Assy., 120 V	2	2
3	9118-049-001	Diaphragm	2	2
4	9211-021-002	Guide, Solenoid	2	2
5	9015-008-001	Armature	2	2
6	9534-298-001	Spring, Armature	2	2

Water Inlet Valve Breakdown



DRAIN VALVE GROUP

Key	Part Number	Description	MODELS	
			WCN18	
			A	A
			A	B
	9379-177-006	Valve, Drain (includes #2 thru #11)	1	1
2	9064-070-001	Body, Valve (w/ball)	1	1
3	9914-137-001	Motor & Gear Train	1	1
4	9452-538-001	Plate, Motor Mtg	1	1
5	8639-994-001	Screw	3	3
6	9534-339-001	Spring, Drive	1	1
7	9545-054-001	Screw	2	2
8	9545-054-002	Screw	1	1
9	9532-134-001	Seal, V Packer	2	2
10	8641-584-001	Washer	1	1
11	9451-196-001	Pin, Main Drive	1	1
12	9538-149-001	Motor Plate Sapcers (Required for replacement plate motor MT6)	4	4

OPL MANUAL PARTS LIST

Key	Part Number	Description	Qty.
2	9532-140-010	Primary Seal Vringa (opl epdm)	1
3	9539-471-001	Rotary Switch	1
4	9539-474-001	Rocker Switch Red	1
5	9539-474-002	Rocker Switch Wht.	1
6	9452-595-001	Switch Mounting Plate	1
7	9545-045-001	Screws-8Bx1/4"	6
*	8640-412-005	Nuts Hex-keps 8/32	6
*	9627-674-001	Wiring Harness OPL manual	1
*	8220-001-235	Wire Org./Wht.	2
*	8220-001-377	Wire Wht./Grn	1
8	9307-176-001	Knob	1
9	8502-651-001	Label Nameplate OPL	1
10	8502-615-002	Label Switch Mounting Plate	1
11	9454-668-002	Front Panel w/out coin box	1
*	9345-814-002	Wiring Schematic Single Phase	1
*	9345-815-002	Wiring Diagram Single Phase	1
	9345-816-001	Schematic Three Phase	1
	9345-817-002	Diagram Three Phase	1



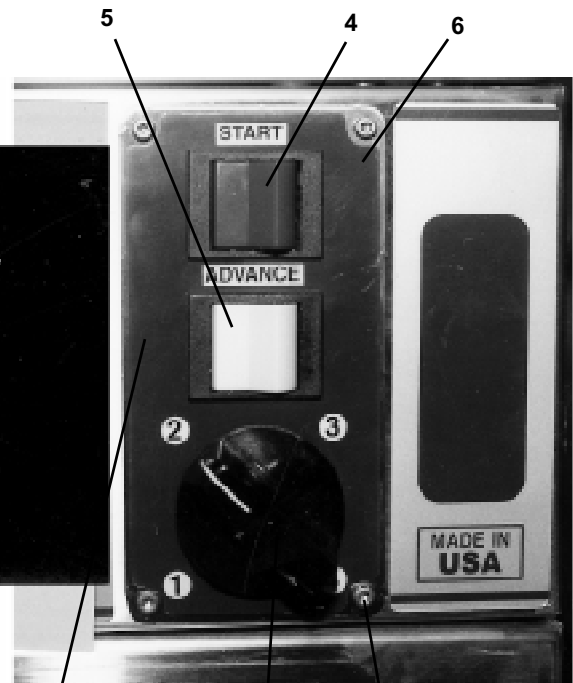
11



2

INSTRUCTIONS

- 1 Load clothes and close door securely.
- 2 Select CYCLE-with rotary switch.
- 3 Select WASH TEMP with pushbutton.
- 4 Add detergent and softener.
- 5 Press START button.
- 6 Add bleach when green light is lit.



5

4

6

START

ADVANCE

2

3

1

MADE IN USA

9

10

8 & 3

7